

Feature and Parameters

1. Specification and Function:

Øcomplete name: Computerized Steaming Bathroom;

Ømodel: GL-113;

Øsize: 1300x900x2100mm;

Øglass color: White or Blue;

Øwater protect level: IPX4

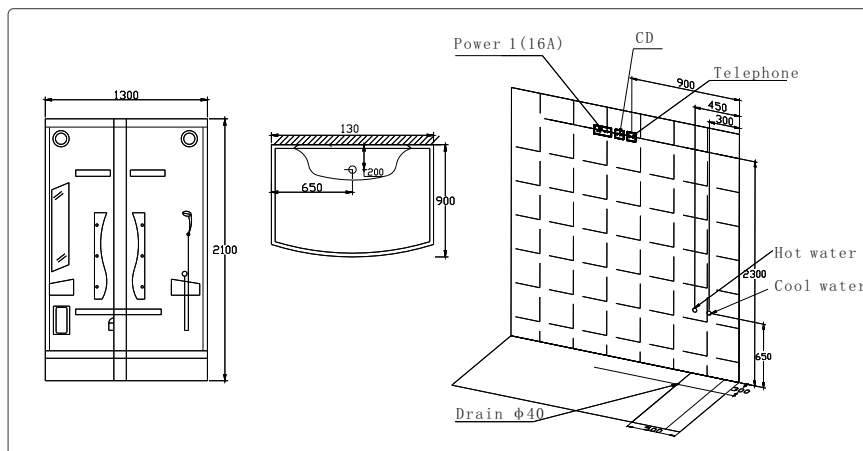
Øfunction:

- ◆Computer Control
- ◆Audio Input
- ◆Steaming Bath
- ◆Telephone System
- ◆Perfume Oil Box
- ◆FM Radio
- ◆Time Setting
- ◆Alarm System
- ◆Top Shower
- ◆Ozone Disinfection
- ◆Flexible Sliding Shower
- ◆Ventilation Fan
- ◆Backside Sharp Massage Nozzle
- ◆RoofLamp
- ◆Sole Massage Device
- ◆Background Light
- ◆Mirror
- ◆Goods Shelf
- ◆Cool&Hot Water Wrench Valve
- ◆Thermal Faucet (optional)

2. Water and Electric Technical Parameters

Power Parameters			Water Supply Parameters			Diameter of the Pipe Joint		
Voltage	Frequency	Control Voltage	Steam Generator Power	Supply Pressure	Operative Pressure	Rate of flow	Cool&Hot Water Supply	Drainage
AC200V ~AC240V	50HZ /60HZ	DC12V	3.0kW	≥0.02 MPa ≤0.7 Mpa	≥0.2 Mpa ≤0.4 Mpa	8~10L/min	φ15	φ40

3. Product Size, Water and Electricity Preparation



Installation

1. Caution

- 1.1 .The installation of this product must be made by qualified electrician or professional people who is appointed by GAT dealer.
- 1.2. The local electric parameters must be accord with electric parameters of this product.
- 1.3. The power supply wire of this product must permanently connect to fixed wiring. This product should be supplied through a residual current device(RCD) having a rated residual operating current not exceeding 30 mA, and test it if work well.
- 1.4. The product has been carefully inspected to rigid quality standards before shipment, for ensure the safe using and high performance, do not modify, add, or reduce any water or electrical parts without manufacturers permission.

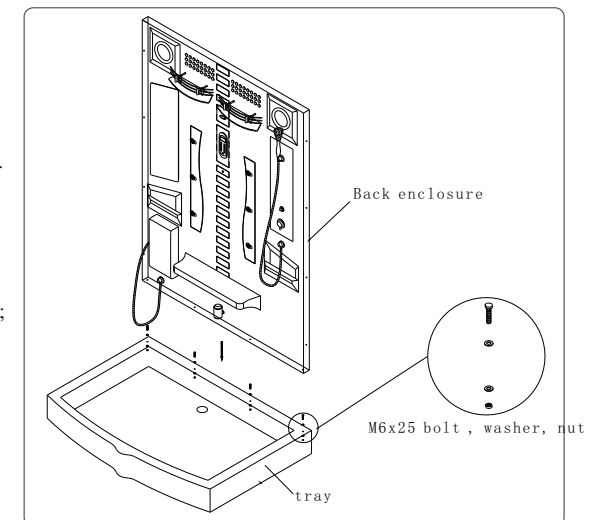
2. Tools

- 2.1 \$ "+"shape screwdriver, "-"shape screwdriver
- 2.2 stepladder
- 2.3 & 8-10、12-14 open wrench, adjustable wrench
- 2.4 adjustable wrench
- 2.5 electric drill
- 2.6 measure ruler
- 2.7 gradienter

3. Installation steps

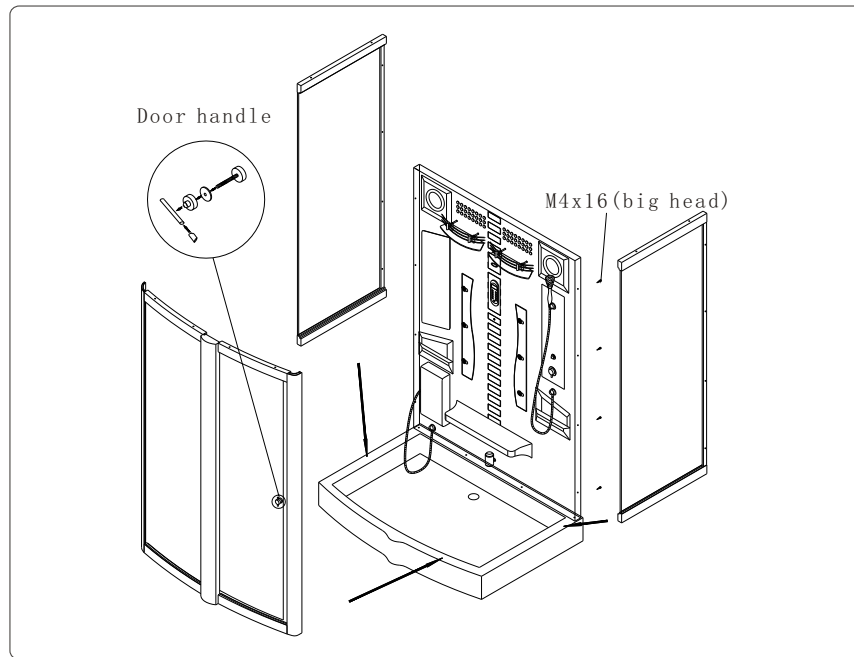
3.1 mounting tray with back enclosure:

- 8Check all packaging of the product, if there is nothing wrong, go ahead the installation;
- 8Place the tray level at indoor location, adjust base stand to level upper tray surface;
- 8Fasten back enclosure on tray with M6x25bolt and nuts;
- 8Find out the sole massage device(1 set), sliding shower head(1 piece), flexible pipe(2 pieces),



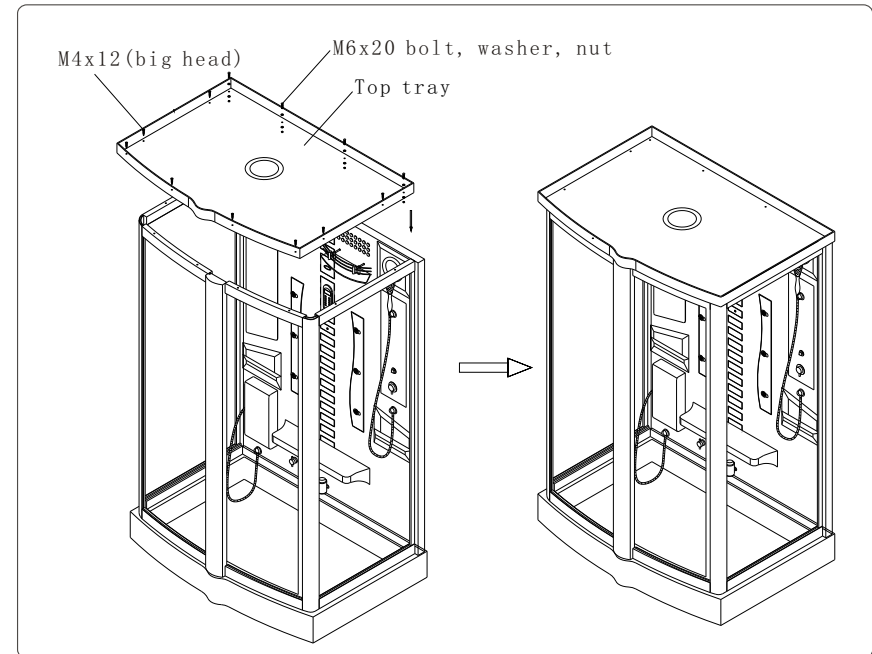
3.2 Mounting frontal glass enclosure:

8Fasten connector in the correct direction to below and upper joint ends of corner column with M4x16 (small head) screws.
 8Make the connector cut in the tracks, fixed glass cut in side column glass flute, use M4x12 (small head) screws fasten corner column to below and upper tracks by connector.
 8Clean up the frontal glass enclosure, put it onto tray and adjust place, make sure the holes on the side column aim at the holes on the back enclosure, fasten side column to back enclosure with



3.3 Mounting top cover:

8Set top cover onto installation location, level holes on the top cover frontal parts with holes on the glass enclosure, fasten top cover and glass enclosure with M4x12(big head) screws, level holes on the top cover back parts with holes on the back enclosure, fasten top cover and back enclosure with M6x20 bolts and nuts.



4. Water connection

8The joint of the top shower is apart for packing. Let top shower pipe joints through the hole in back of the top cover, connect the joint to the top shower on the top cover.
 8The drainage pipe of the steaming generator, when turn off the whole control system, the high temperature water(if you have steaming bathing) which is in the steaming generator will be drain, make sure to properly connect it with the drainage below the tray.
 8Connect the hot&cool water supply hose to indoor prepared tie-in, caution which is hot water or cool water(refer to the panel of hot&cool water wrench valve), the connection parts must use attached by our packing.
 Caution: To cut off the water supply easily after finishing your bath anytime, please place two general water valve between the supply outlet

