



Casual Sanitary Wares



Simple Shower Bathroom

(Models: GY-8080/9090/9090H/1010/1010H/1212)

Manual

Note

Thanks for choosing and buying our simple shower bathroom and bathtub. After opening the case, read this introduction carefully, check all the packed parts, examine the shower bathroom for shipping damage. If the unit has been damaged or has a finishing defect, please contact your local distributor within 2 business days. Please note that GAT will not cover shipping damage or such finishing defects once the unit has been installed.

Content

Simple bathroom installation instructions	2
Maintenance	5

Simple Shower Bathroom Installation

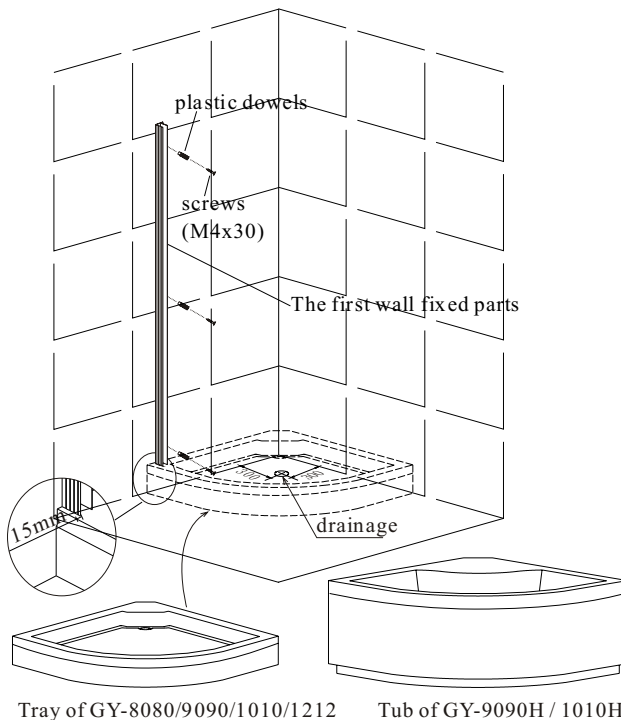
I. Tools:

- | | | |
|---|-------------------|------------------|
| 1. — + shape screwdriver, - shape screwdriver | 2. electric drill | 3. stepladder |
| 4. — adjustable wrench | 5. pencil | 6. measure ruler |
| | | 7. gradienter |

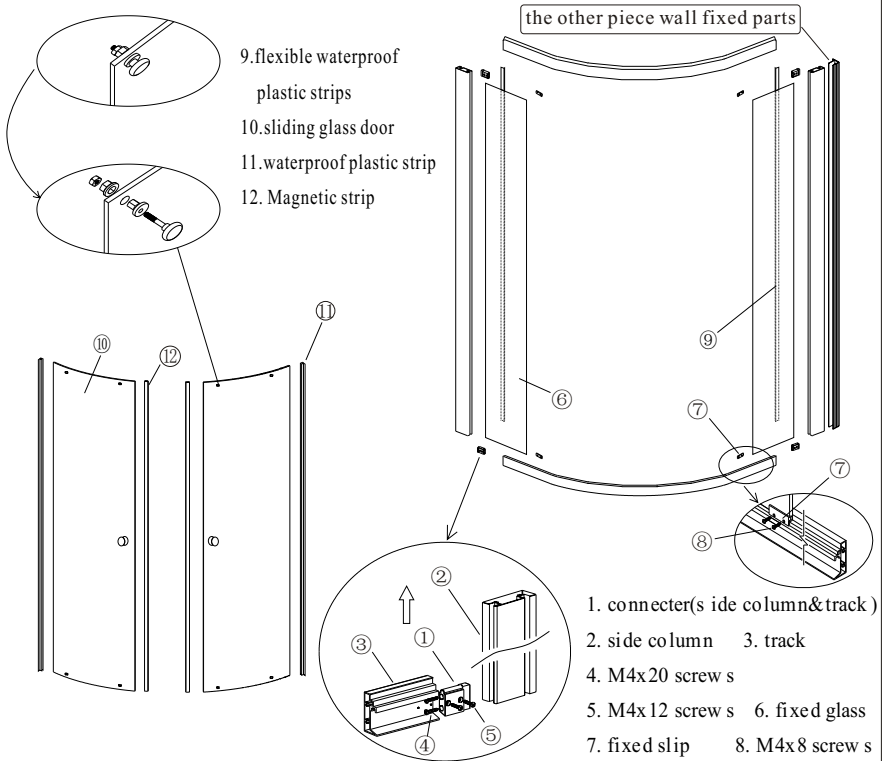
II. Installation steps:

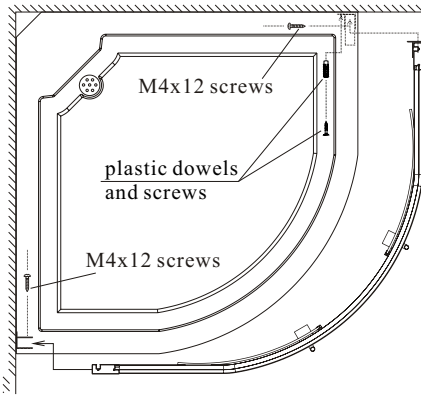
1. install the tray(or tub) and wall fixed parts:

- Put the tray(or tub) in the designated place, insert the drainage hose into prepared waterspout, keep the inlet depth less than 10cm(you can lengthen hose accordingly with same diametrical hose if waterspout faraway from installation location, please carefully check the tie-in against leakage). Then adjust base stand to level the tray.
- Put one piece wall fixed parts at the correct wall position, make sure it leveled to the tray and to the wall and mark the drill holes. Drill the holes from the inner side of the wall fixed parts with electric drill. Screw it tight to the wall using plastic dowels and screws.



2. Assemble the enclosure(see below installation diagram).
 - a. Fasten connector in the correct direction to both ends of side columns (left and right) by M4x20 screws;
 - b. Connect side column and tracks by connector with M4x12 screws;
 - c. Insert fixed glass fully into side columns glass flute on tracks way, then fix the fixed glass with fixed slip and M4x8 screws.
 - d. Insert the flexible waterproof plastic strips into side columns glass flute, You may use some liquid soap for inserting easy.
 - e. Assemble the sliding glass door (refer to Installation of GY-F80).
 - f. Set the other piece wall fixed parts in the relevant side column.

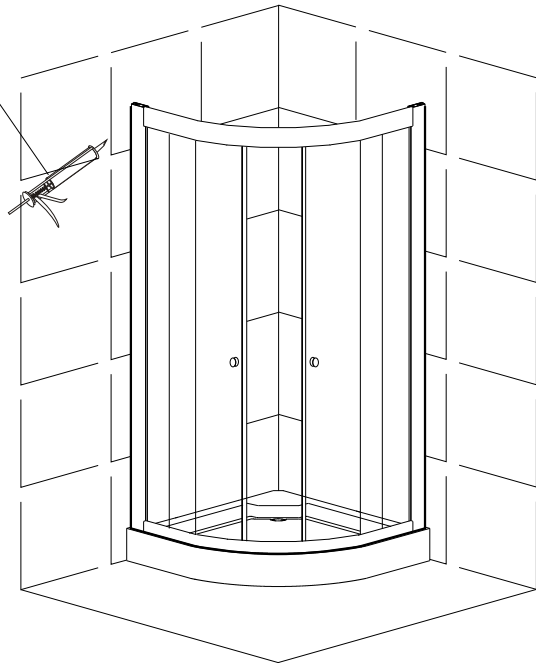




Mount the whole enclosure onto the tray. Let the side columns insert the wall fixed parts, fasten the other fixed parts to the wall using plastic dowels and screws. Then fasten the side column and the fixed parts with M4x12 screws.

Silicone sealant

Apply silicone sealant around the outside perimeter of any fixed shower unit. (Between the tray and track, between wall and wall fixed parts).



3. Complete the installation
 - a. Making sure the doors open smoothly and magnetic strips close tight (you can adjust the rollers by turning the acentric-screw-sets if necessary).
 - b. To prevent the shower unit from leaking, make sure seal the shower unit properly.
 - c. Clean the all shower unit, complete the installation.

Maintenance

1. Keep the acryl surface of the shower room from crashing by a sharp edge. If the surface is crashed or there is some blot which can not be removed by scrub, using #1500 sand paper to polish it and apply some toothpaste on a soft cloth to wipe it.
2. Using special cleanser to clean-up the shower room. The cleanser contain no such organic solvents as acid, alkali, ketone and aldehyde.

The products are made according to ISO-9001 and the standard for electrician safety

Criterion
Q/MXP2-1999



Noted : The instructions are only for your reference. Please contact supplier for further information.